

## USER MANUAL

### Ultralux RF Controller for RGB LED lights – RGBRFC20

#### Technical details:

- Working temperature:  $-20 \div +60^{\circ}\text{C}$
- Working Voltage: DC 12V  $\div$  24V
- Connection mode: common anode
- Dimensions: 80/64/24 mm
- Output current: 3 x 6.6 A
- Max. output power: 240W (12VDC), 480W (24V DC)
- Frequency: 433.9 MHz
- Remote distance: Up to 20 m
- Static power consumption: <1W
- Grayscale: 64 levels (RGB each)



#### Product Features:

- Designed for RGB constant voltage LED lights, Max.output:3\*6.6A.
- Power-lost memory recovery function
- Working voltage DC12-24V, it can be universal in this range.
- Adopts PWM digital technology, signal frequency: 107Hz.
- RF 20-key wireless remote, RF frequency: 433.92MHz.
- 14 modes in total, including 8 static colors and 6 dynamic changes.

#### Direction for use

- Connect the load wire and sync-signal cable at first, following by the power wire.
- Ensure short circuit can not occur before you turn on the power.
- Adopt RF wireless remote control, 20 keys in total, function of each button as below:



#### Button description

Brightness +	Brightness -	pause	on/off
Static red	Static green	Static blue	Static white
Static orange	Static yellow	Static cyan	Static purple
Auto run	three base color jumpy	Three colour gradually change	speed +
Flash	seven base color jumpy	Seven colour gradually change	speed-

## RF code

### Matching code operation

Receiver and Remote Control are coded as default, if new-coded-remote is needed, pairing the remote and the receiver as below operation instruction before using:

**Step 1:** Pressing key “FLASH” and hold on, power on the controller, the load LEDs will be 50% brightness white as responding.

**Step 2:** Pressing “FLASH” 3times in 3 seconds, corresponding to the operation, the LED’s brightness will change as 25%-10%-back to preset level.

Code learning successfully, the receiver only can be controlled by the remote.

If not, please re-operate from step 1 to 2.

Only the latest paired 4 remote controllers can be recognized.

### Clear code operation

Clear the code, the receiver will can be controlled by any one the same remote control.

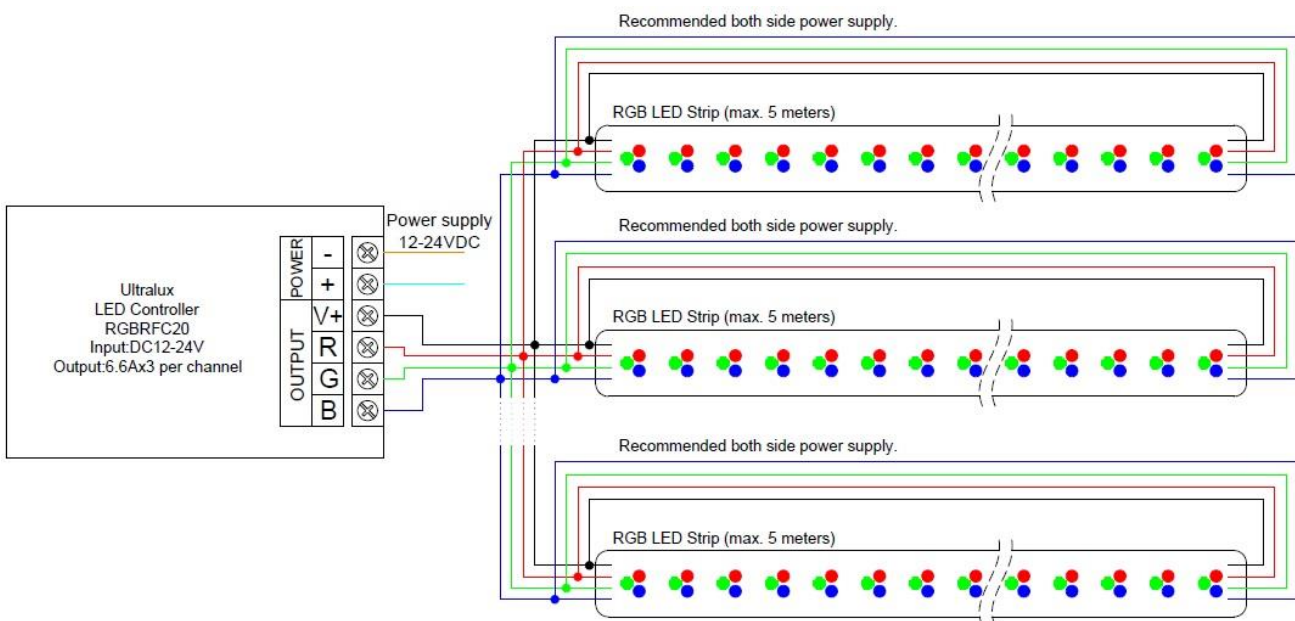
**Step 1:** Pressing key “JUMP7” and hold on, power on the controller, the load LEDs will be 50% brightness white as responding.

**Step 2:** Pressing “JUMP7” 3times in 3 seconds, corresponding to the operation, the LED’s brightness will change as 25%-10%-back to preset level.

Code clearing successfully, the LEDs will be back to the status before the power off, and the receiver can be controlled by any remote control.

If not, please re-operate from step 1 to 2.

### Typical connection diagram



Note:

The installed power of the LED strips must be in accordance with the controller.